



## ELECTRICAL CHARACTERISTICS

POWER AT STC	535 W	540 W	545 W	550 W
Short Circuit Current - I <sub>sc</sub> (A)	13.79	13.86	13.93	14.00
Maximum Power Current - I <sub>mpp</sub> (A)	12.90	12.97	13.04	13.11
Open Circuit Voltage - V <sub>oc</sub> (V)	49.45	49.60	49.75	49.90
Maximum Power Voltage - V <sub>mpp</sub> (V)	41.47	41.64	41.80	41.96
Module Efficiency - η' (%)	20.7%	20.9%	21.1%	21.3%

Values at Standard Test Conditions STC (Air Mass AM 1.5, Irradiance 1000 W/m<sup>2</sup>, Cell Temperature 25° C).

## MATERIAL CHARACTERISTICS

Characteristics	Value
Cells per Module	144 (72 x 2)
Cell Type	Grade A - Mono PERC Crystalline Silicon
Front Surface	Anti-Reflective Coated Tempered 3.2 mm Glass
Encapsulant	PID Free EVA
Back Cover	Backsheet
Frame	Anodized Aluminum
Junction Box	IP68, 3 Bypass Diodes
Cable Length	300mm Cables Length (Can be Customized)
Fire Classification	Type I

## THERMAL CHARACTERISTICS

Characteristics	Value
Open Voltage Temperature Coefficient VOC (%/C°)	-0.26
Short Circuit Current Temperature Coefficient ISC (%/C°)	+0.04
Power Temperature Coefficient PMP (%/C°)	-0.30
NOCT (°C)	45±2

## OPERATING CONDITIONS

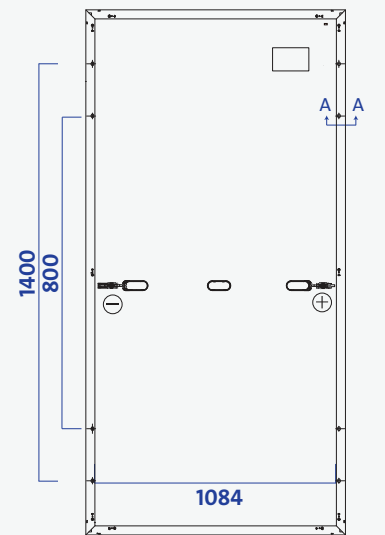
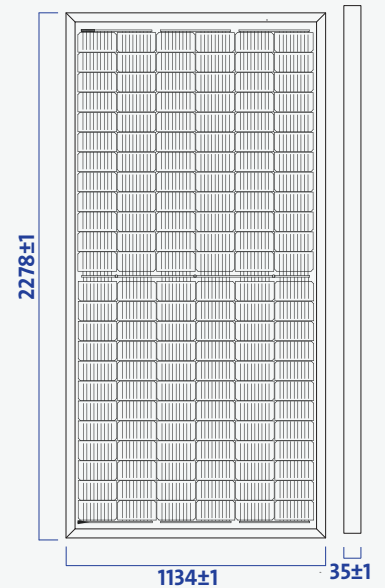
Maximum System Voltage - V <sub>max</sub> (V)	1500
Maximum Series Fuse (A)	25
Operating Temperature Range (°C)	IEC: -40 to +85 UL: -40 to +90

## PHYSICAL CHARACTERISTICS

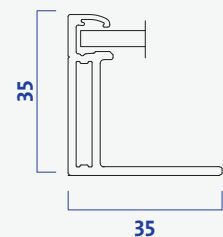
Characteristics	Value
Module Dimensions (mm)	2278±1 x 1134±1 x 35±1
Module Weight (kg)	29 ± 3%
Packaging	Value
Modules per Pallet	31
40 Feet High-Cube Container	620 Modules

Mechanical Load	Value
Max Static load (Front)	5400 Pa
Max Static load (Back)	2400 Pa
Dynamic load	1000 Pa

## Module Drawings



Cross Section A-A



- ◆ Power measuring tolerance: ± 3%, other measurements tolerances: ± 5%.
- ◆ Datasheet is subjected to change without prior notice, always obtain the most recent version of the datasheet.
- ◆ Caution: For professional use only, the installation and handling of PV modules and cleaning modules require professional skills and should only be performed by qualified professionals, please read the Installation and Operation Manual before using the modules, also Cleaning Guidelines